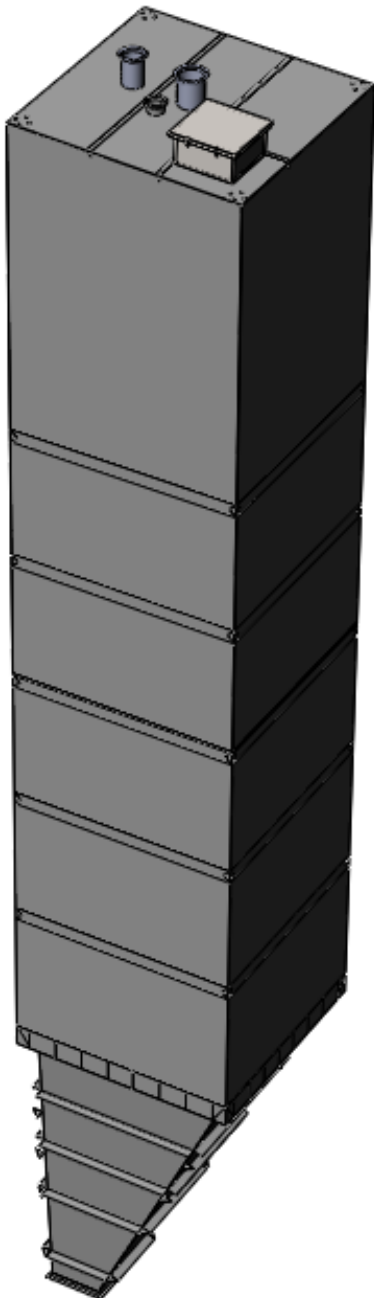


For more information contact Tom Kaminski ☎(608) 220-8396 ✉tkaminski@vitabuilders.com

CUSTOM WELDED BINS

FULLY WELDED SINGLE WALL BINS MAKES INSTALL FAST AND EFFICIENT

- BINS ARE SEALED KEEPING THE WEATHER OUT
- NO BOLTED SEAMS = NO LEAKING OF PRODUCT OUT OR WATER INTO BIN



FEATURES AND OPTIONS

🎯 CAPACITY & SIZING

- CAPACITIES UP TO 4,800 CU/FT (3,850 BUSHEL)
- 96 TONS @ 40 PCF MATERIAL
- COMPARTMENT SIZES FROM 3FT X 3FT TO 12FT X 12FT
- SPLIT BIN INTO MULTIPLE COMPARTMENTS 2,3,4 OR EVEN 6 COMPARTMENTS IN ONE FULLY WELDED MODULE
- STANDARD PICK POINT ALLOW SUPPORT OF STRUCTURAL OR EQUIPMENT UP TO 35,000 LBS

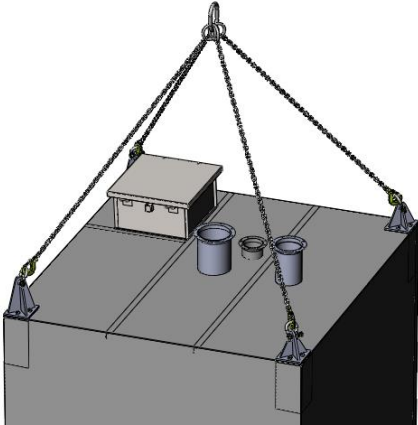
🎯 FEATURES

- INTERNALLY OR EXTERNALLY STIFFENED DESIGNS
 - INTERNALLY STIFFENED SIMPLIFIES STRUCTURAL
 - EXTERNALLY STIFFENED PROVIDE TRUE INTERNAL SMOOTH WALLS
- FULLY WELDED SEAMS
- 7GA SIDEWALLS AND HOPPER STANDARD
- FLAT OR PITCHED ROOF
- 10GA ROOF SHEET WITH FULLY WELDED INLETS AND MANDOORS
 - MANDOORS, INLETS, AND BIN MONITORING TO MEET CUSTOMER SPECS
- STANDARD BIN PICK POINTS FOR SETTING OF BIN AND SUPPORT OF EQUIPMENT

🎯 OPTIONAL SERVICES

- ENGINEERED SUPPORT POINTS FOR EQUIPMENT AND STRUCTURAL
- PAINTED IN HOUSE WITH STRUCTURAL PRIMER AND DARK GRAY STANDARD
 - CUSTOM COLOR MATCH AVAILABLE
- VENT OPTIONS: VENTED MANDOORS, BIN INTERVENTING, PRESSURE RELIEF VALVES, AND MORE DEPENDING ON CUSTOMER REQUIREMENTS
- ACCESSORIES INCLUDING BUT NOT LIMITED TO:
 - EMERGENCY SERVICE GATES, DISCHARGE EQUIPMENT, VIBRATOR MOUNTING BRACKETS, VIBRATORS, GATHERING HOPPERS, LEVEL INDICATORS, AND MORE....
- CUSTOM ROOF FLASHING TO MATCH GIRT LINE WHEN BINS ARE SHEETED IN.

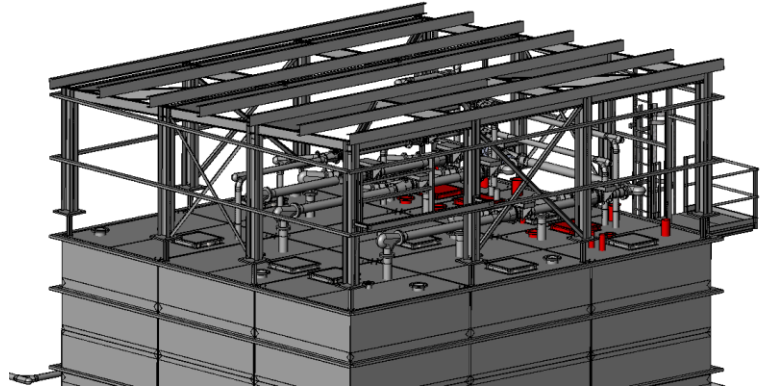
CONTACT US FOR ALL MILLWRIGHT, DESIGN, AND CUSTOM PROJECTS



BIN PICK POINTS

- ENGINEERED PICK POINTS FOR SETTING OF BINS
- ALSO PROVIDES SUPPORT POINTS FOR EQUIPMENT AND STRUCTURAL
- BRACKETS ENGINEERED TO COMPENSATE FOR PITCHED ROOF BINS

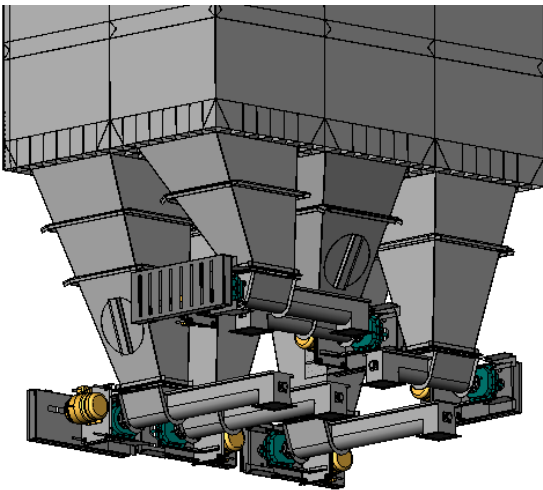
BULK OVERHEAD STORAGE



BIN HEADHOUSE

- ENGINEERED SUPPORT OF HEADHOUSE ON BINS
- STUBS FROM STRUCTURAL TO PADS ON BIN ROOF
- PROVIDE PROTECTED SPACE FOR EQUIPMENT

MULTI-COMPARTMENT BINS



MULTI-COMPARTMENT BINS

- ALLOWS FOR SPLITTING OF LARGER BIN MODULE INTO SMALL COMPARTMENTS
- CUSTOM HOPPERS AND FLANGES TO MATCH CUSTOMERS SPECIFICATIONS
- REDUCES LABOR

COMPLETE LOADOUT TOWER

SERVICES

- STRUCTURAL DESIGN
- COMPLETE BIN LAYOUT
- INLETS, DOORS, AND EQUIPMENT
- CUSTOM HOPPER TO MATCH CUSTOMERS SPECIFICATIONS
- DISCHARGE EQUIPMENT
- STAIR AND LADDER ACCESS AS REQUESTED
- 3D MODELING TO AID IN LAYOUT AND REVIEW OF PROJECT
- CUSTOM BINS TO FIT EXISTING OPEN STRUCTURAL OR REPLACE EXISTING BINS

